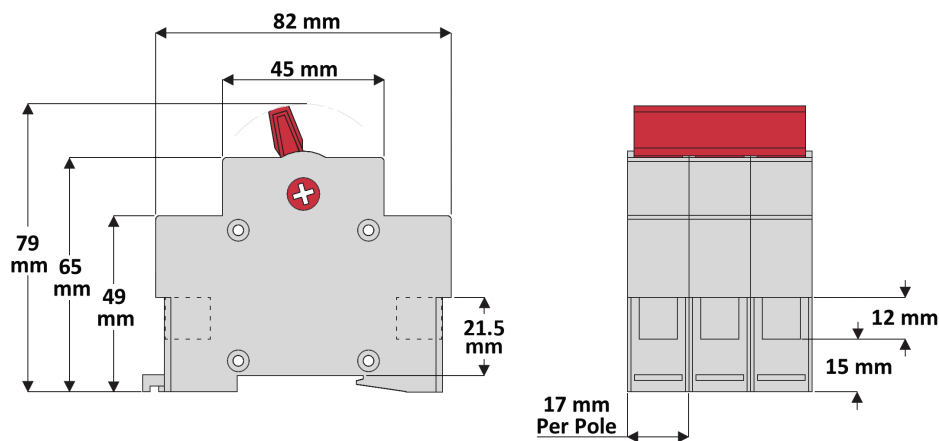


Gtec Main Switch



The Gtec ISO range provides a 100A or 125A main disconnect switch in configurations of 1 to 4 poles.

Gtec Main Switch Technical Specification

Number of Poles	1, 2, 3 or 4
Current Rating	100, 125A
Rated Voltage	240 / 415 Vac
Standard	EN 60947-3

Gtec Main Switch Ordering Scheme

